

# Heidelberg Materials Packed Products PostFix

Technical data sheet

**Heidelberg Materials PostFix is a simple to use fast-setting concrete mix for fixing posts in the ground. It requires no pre-mixing before use.**

Heidelberg Materials Postfix contains Portland cement and special additives together with sharp sand and 10mm gravel. Heidelberg Materials PostFix is used for fence posts, gate posts, pergolas, garden lighting and rotary lines.

## Performance

Initial setting time	Compressive strength @ 4 hours	Compressive strength @ 28 days
5-10 minutes	> 2 N/mm <sup>2</sup>	> 10 N/mm <sup>2</sup>



## Conditions of use

- As a general rule, concrete should be placed within the range of 5°C to 30°C.
- In cold weather, setting times may be extended and strength development delayed.
- Freshly placed PostFix should be protected from low temperatures to avoid frost damage.
- Heidelberg Materials Cement cannot be held responsible for poor workmanship.
- To avoid premature deterioration of Heidelberg Materials PostFix cement, please follow the correct storage requirements.

# Heidelberg Materials PostFix

## Technical data sheet

### Usage rate

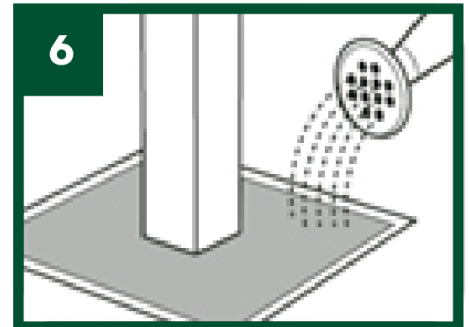
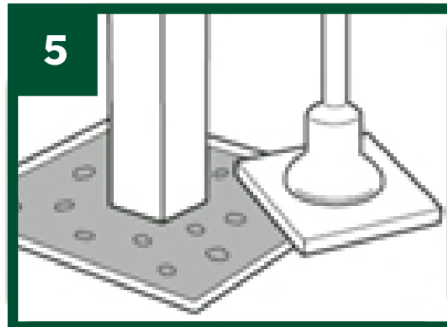
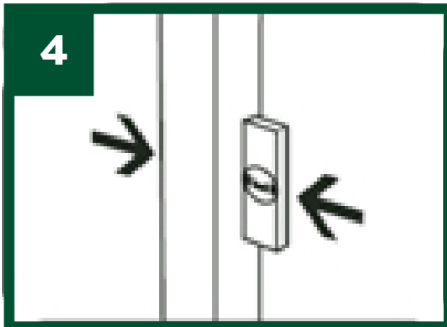
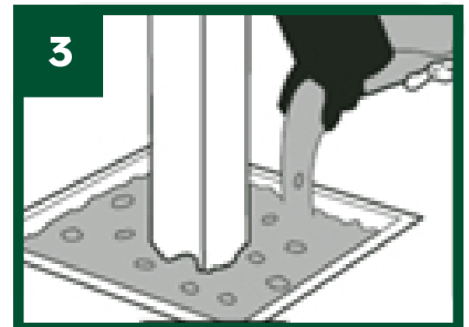
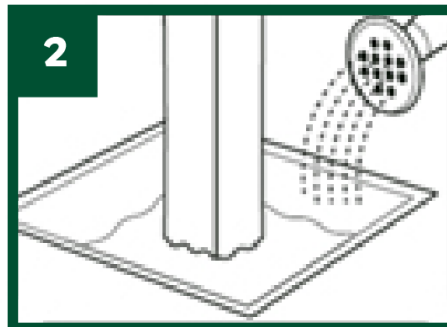
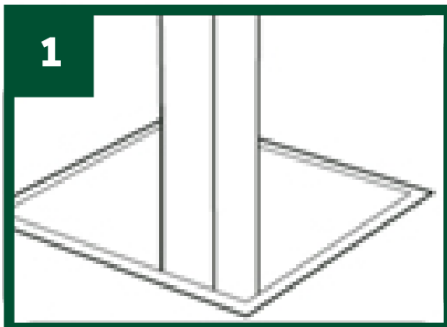
Post size	Hole size (width x depth)	Number of bags required
75mm Square (3")	200mm (8") X 450mm (18")	1 bag
	200mm (8") X 600mm (24")	1 bag
	200mm (8") X 750mm (30")	1 bag
	250mm (10") X 450mm (18")	1 - 2 bags
	250mm (10") X 600mm (24")	1 - 2 bags
	250mm (10") X 750mm (30")	1 - 2 bags
100mm Square (4")	250mm (10") X 450mm (18")	1 - 2 bags
	250mm (10") X 600mm (24")	1 - 2 bags
	250mm (10") X 750mm (30")	1 - 2 bags
	300mm (12") X 450mm (18")	1 - 2 bags
	300mm (12") X 600mm (24")	2 bags
	300mm (12") X 750mm (30")	2 - 3 bags

# Heidelberg Materials PostFix

## Technical data sheet

### Instructions for use

01. Position post in hole
02. Add two litres of water
03. Empty the complete bag into hole around the post
04. Check the position of the post and adjust as necessary
05. Tamp to remove any air bubbles
06. If necessary, sprinkle more water to mix any remaining powder left on the surface.



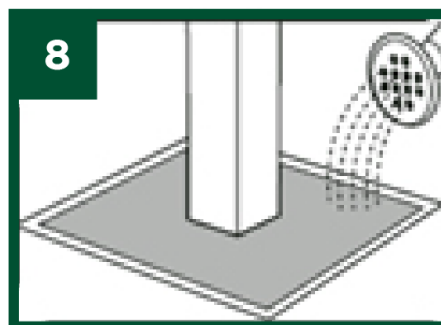
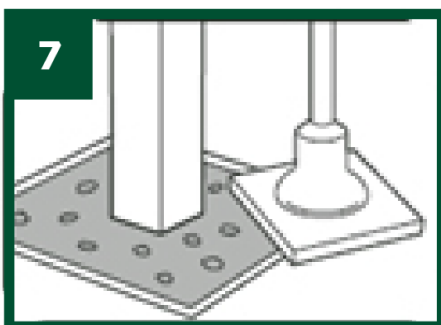
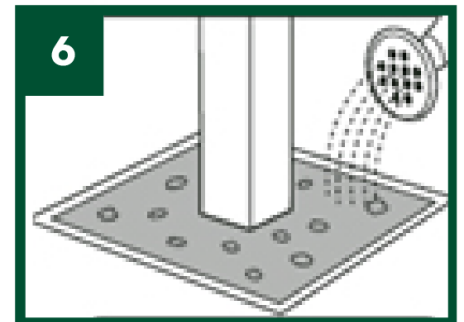
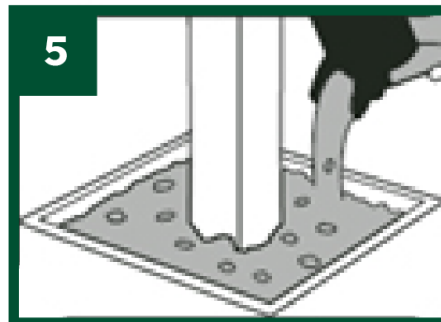
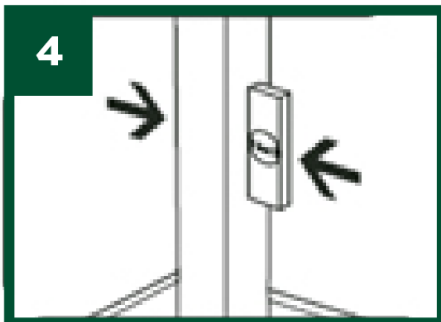
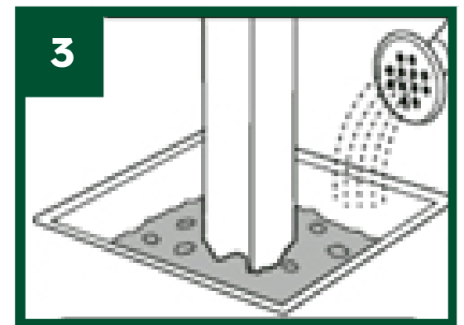
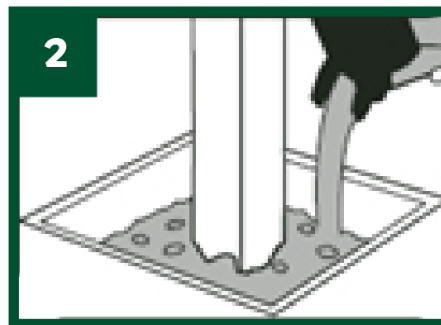
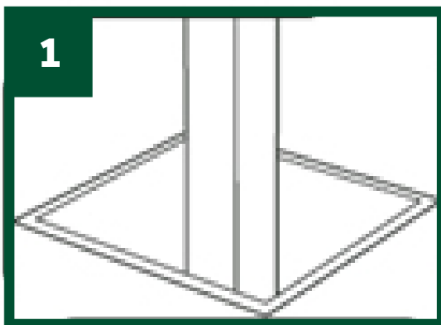
Allow 5-10 minutes for initial set to take place – following this, the post will remain in a vertical position unsupported. Postfix will achieve appreciable strength after 4 hours depending on ambient conditions but is best left overnight before attaching fence panels etc.

# Heidelberg Materials PostFix

## Technical data sheet

### Alternative instructions for use

01. Position post in hole
02. Empty half of bag into hole
03. Add 1 litre of water
04. Check the position of the post and adjust as necessary
05. Add rest of bag
06. Add another 1 litre of water
07. Tamp to remove any air bubbles
08. If necessary, sprinkle more water to mix any remaining powder left on the surface.



Alternatively the hole can be lined with a plastic bag or similar to stop the water draining away.

# Heidelberg Materials PostFix

## Technical data sheet

### Storage

Bags should be stored unopened, clear of the ground in cool dry conditions and protected from excessive draft and all sources of moisture. The maximum shelf life the product is stated on the bag

### Hexavalent Chromium (VI)

The soluble chromium (VI) content is limited to a maximum of 2ppm. The chromium (VI) content is determined in accordance with EN 196-10. The maximum shelf life of the product is stated on the bag.

### Technical support and further information

Please refer to the Material Safety Data Sheet for full health and safety information

For further advice please contact Heidelberg Materials cement technical support on **0330 123 4525** or **[cement@uk.heidelbergmaterials.com](mailto:cement@uk.heidelbergmaterials.com)**

**Further copies of this technical data sheet may be obtained from [heidelbergmaterials.co.uk](http://heidelbergmaterials.co.uk)**